



ESA Messtechnik GmbH

Schlossstr. 119 - D-82140 Olching / München
 Telefon: +49 (0)8142 444 130 - Fax: +49 (0)8142 444 131
 Internet: www.esa-messtechnik.de
 E-Mail: info@esa-messtechnik.de

Force Transducer Model CL23

DESCRIPTION:

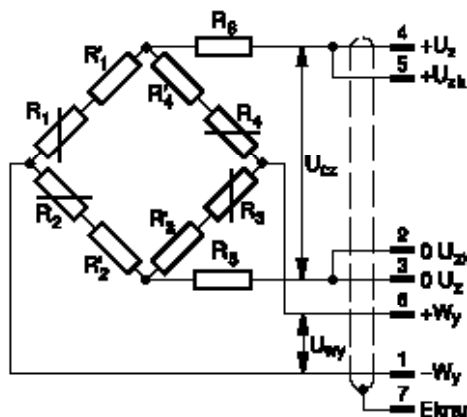
Mod. CL23 are designed to measure operational forces with function pedals. The transducer is to be fixed with a belt at the shoe of the operator or at the pedal. Many other applications are also possible. Due to its special design, the transducer is totally insensitive for any kind of side loads which are not acting in axial direction. The spring element carries a balanced strain gauge full bridge with full temperature compensation which guarantees a high zero stability. Mod. CL23 comes with either 1 mV/V or 2 mV/V sensitivity.



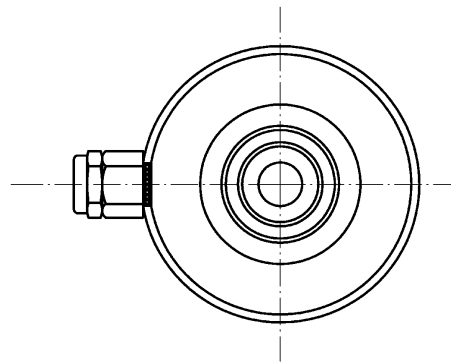
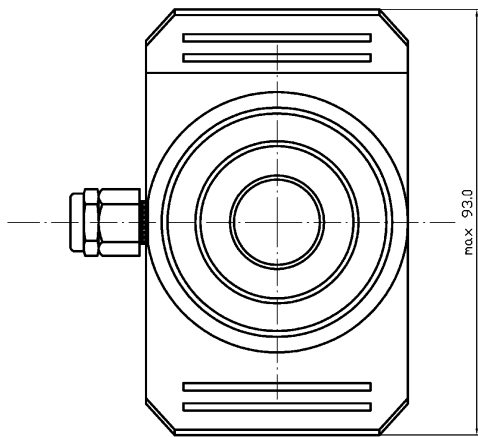
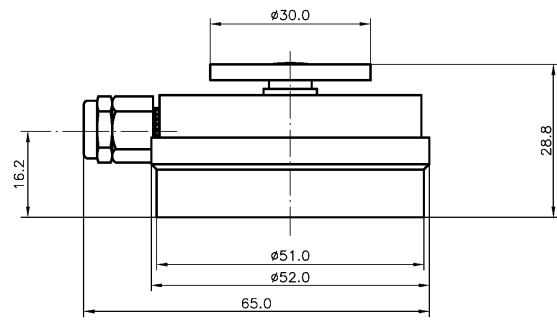
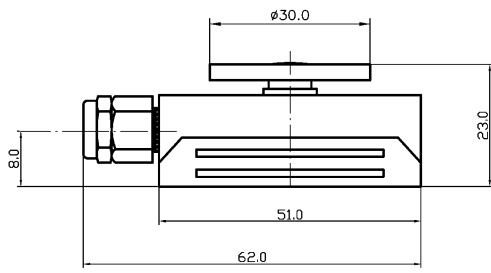
TECHNICAL SPECIFICATIONS:

Range	[kN]	1
Sensitivity	%	0,1 (referred to full scale)
Accuracy	[mV/V]	1 - R1, 2 - R2
Nominal supply voltage	[VDC]	10
Input resistance	[Ω]	730 ± 25
Output resistance	[Ω]	730 ± 5
Operating temperature range	[°C]	-10 bis +90
Compensated temperature range	[°C]	+20 bis +90
Zero drift	[%/30 min]	≤ 0,03
Hysteresis after unloading from nominal load	[%]	≤ 0,03
Temperature effect on sensitivity	[%/10K]	≤ 0,05
Temperature effect on zero	[%/10K]	≤ 0,05
Maximum strain	[mm]	0,1
Overload	[%]	50
Isolation resistance	GΩ	≥ 40
Connectors		LUMBERG (Z1) or O-Ring gland (O1)
Protection system		IP 40 or IP67
Dimensions	kg	0,16
Spring element material		Steel
Cable length		1 m (standard) or other optional

Wiring Schematic for R1 / R2:



DIMENSIONS:



ORDER INFORMATION:

CL23-1 kN-0,1-R2-10-Z1-1

